

35+  
Years

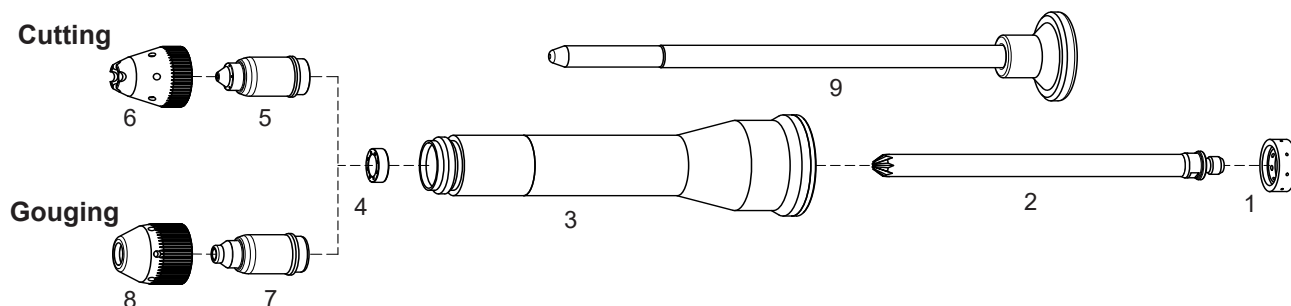
TEC.MO.®

PT-40/60

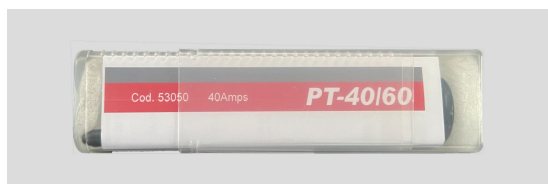
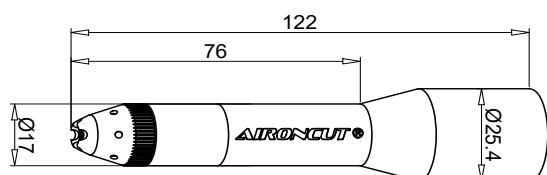
PLASMA CUTTING TORCHES

**AIRONCUT**®

New high visibility consumable system  
to cut inaccessible parts.



For gouging use maximum 4 bar



**53050 Standard Kit 40A Cutting**  
Packaging containing ✕

#	Code	Description	Pkg
1	53023 ✕	Swirl Ring 20-70A	2
2	53002 ✕	Electrode	3
3	53010 ✕	Shield Cup Body	1
4	53022 ✕	Vortex Ring	3
5	53031 ✕	Tip 20-45A	5
	53032	Tip 60A	5
6	53047 ✕	Shield Cap Cutting	5
7	53036	Tip 50A Gouging	5
8	53046	Shield Cap Gouging	5
9	53080 ✕	Extractor for tip	1

**BXAPT60-AC****BXAPT60-AC****Special Box**

Code	Description	Qty
53023	Swirl Ring 20-60A	1
53002	Electrode	2
53022	Vortex Ring	1
53031	Tip 20-45A	3
53032	Tip 60A	3
53047	Shield Cap Cutting	1
53036	Tip 50A Gouging	3
53046	Shield Cap Gouging	1
<b>53050</b>	<b>Standard Kit 40A Cutting</b>	<b>1</b>

IT Util. Pat. Pend.:  
N° IT202021000001583

60A Max Thickness 10 mm

**35+**  
Years

**TEC.MO.**®

**PT-40/60**

PLASMA CUTTING TORCHES

# **AIRONCUT**®

**New high visibility consumable system  
to cut inaccessible parts.**

